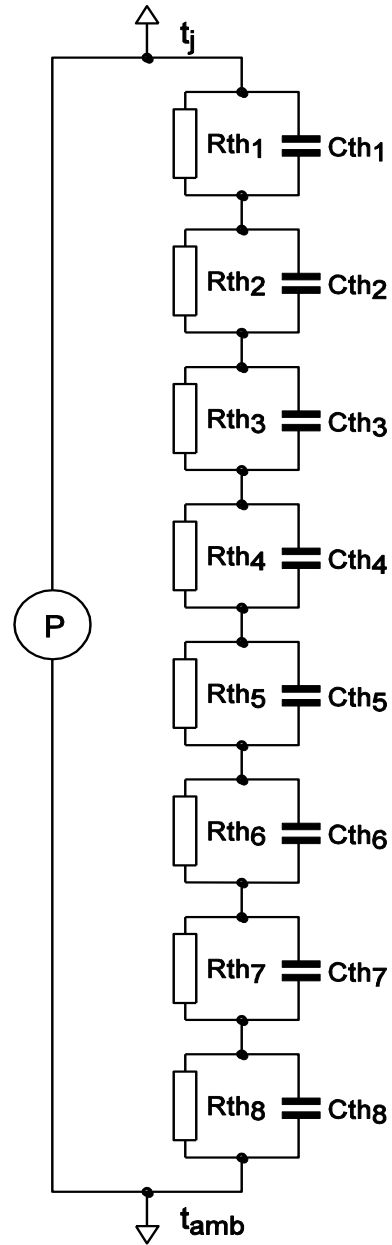


SPICE thermal model

PSMN1R7-25YLD

Symbol	Parameter	Conditions	Min	Typ	Max	Unit
$R_{th(j-mb)}$	thermal resistance from junction to mounting base		-	-	1.11	K/W

C_{th1}	2.148E-03 F
C_{th2}	1.452E-04 F
C_{th3}	4.603E-04 F
C_{th4}	1.735E-03 F
C_{th5}	6.175E-03 F
C_{th6}	8.776E-03 F
C_{th7}	6.086E-01 F
C_{th8}	5.537E+01 F
R_{th1}	5.983E-05 Ω
R_{th2}	1.035E-02 Ω
R_{th3}	2.030E-02 Ω
R_{th4}	6.090E-02 Ω
R_{th5}	2.067E-01 Ω
R_{th6}	6.474E-01 Ω
R_{th7}	1.609E-01 Ω
R_{th8}	3.504E-03 Ω



Part: PSMN1R7-25YLD
 Date: 17/3/2016
 Model Rth 1.11 K/W